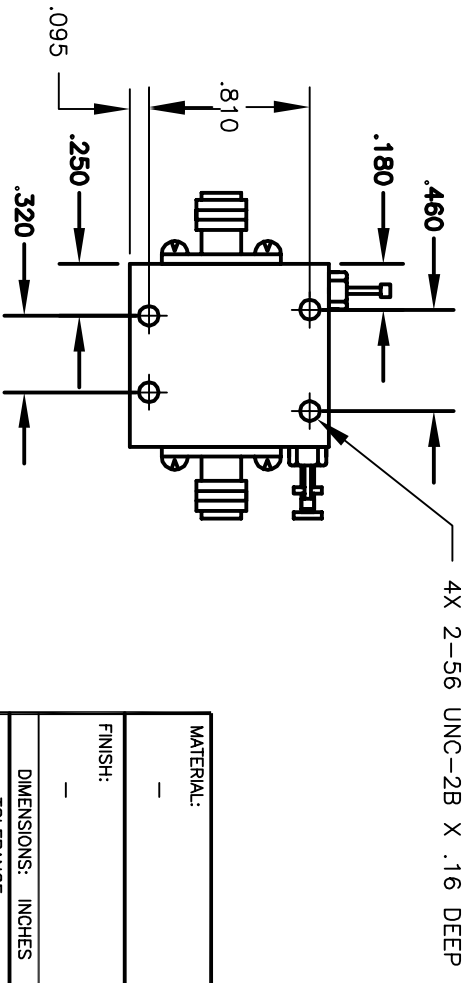
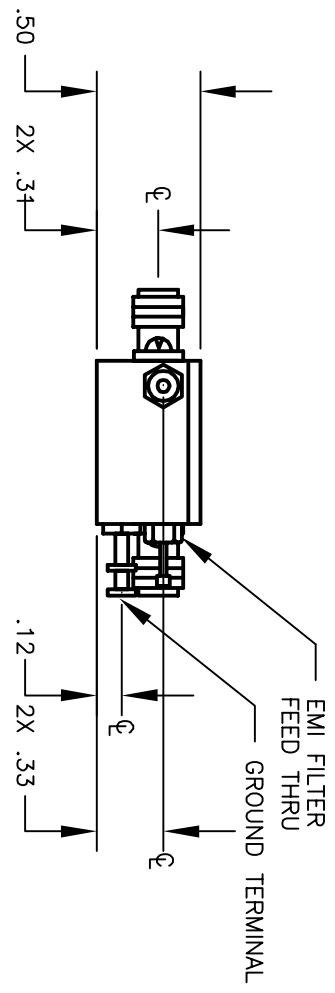
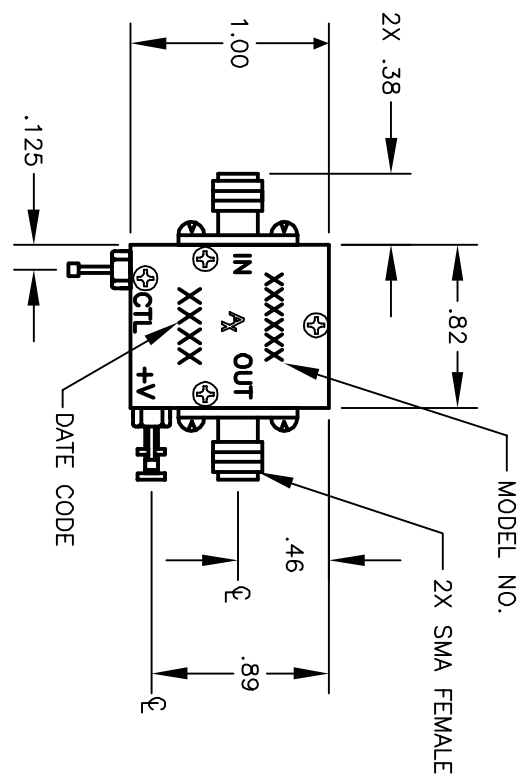


OTL_H6

REVISIONS

REV	DESCRIPTION	DATE	APPROVED
--	ECN 11236, RELEASE	2/6/02	RA 2/6/02



CAUTION
 THIS ASSEMBLY CONTAINS PARTS SENSITIVE TO DAMAGE BY ELECTRO-STATIC DISCHARGE (ESD). USE ESD PRECAUTIONARY PROCEDURES WHEN TOUCHING, REMOVING OR INSERTING.

MATERIAL:		DRAWN		DATE	
-		ADAM SIDLE		2/6/02	
FINISH:		CHECKED		DATE	
-		ENGINEERING		2/6/02	
DIMENSIONS: INCHES		MANUFACTURING		DATE	
TOLERANCE		QUALITY		DATE	
.XX +/- .01		RA		2/6/02	
DEC. .XXX +/- .005		SIZE		FSCM NO.	
ANG .X DEG.		A		60979	
		DWG NO.		OTL2310XXXX	
		K:\ENGINEER\AQLTWIN\OTL\OTL_H6		SHT 1 OF 1	



PHILADELPHIA OPERATIONS
 2707 BLACK LAKE PLACE
 PHILADELPHIA PA 19154 (USA)

OUTLINE DRAWING

H6