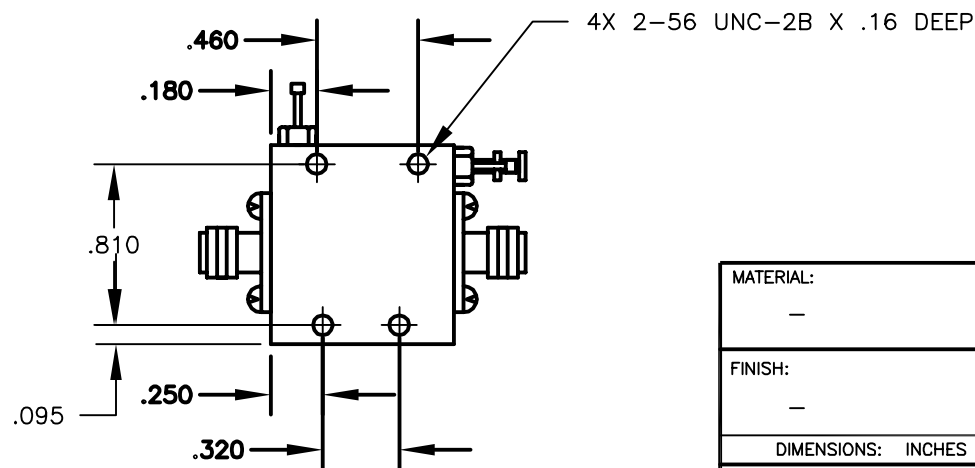
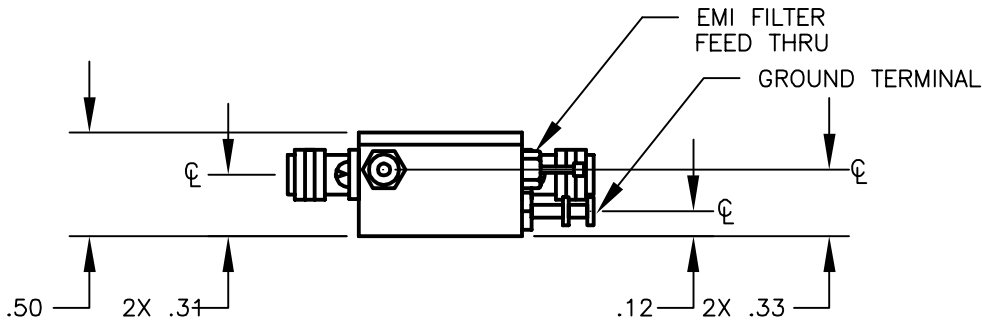
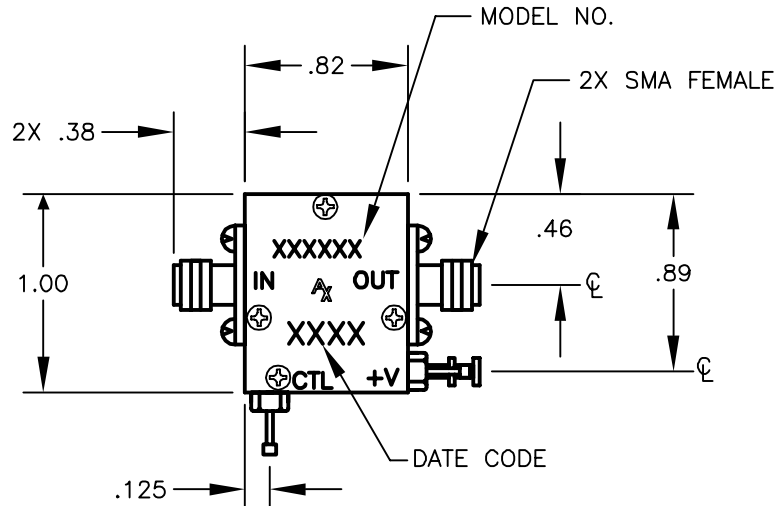


OTL_H6

REVISIONS

REV	DESCRIPTION	DATE	APPROVED
--	ECN 11236, RELEASE	2/6/02	RA 2/6/02



CAUTION

THIS ASSEMBLY CONTAINS PARTS SENSITIVE TO DAMAGE BY ELECTRO-STATIC DISCHARGE (ESD). USE ESD PRECAUTIONARY PROCEDURES WHEN TOUCHING, REMOVING OR INSERTING.

MATERIAL:		DRAWN	DATE
-		ADAM SIDLE	2/6/02
FINISH:		CHECKED	DATE
-		ENGINEERING	DATE
DIMENSIONS: INCHES		PR	2/6/02
TOLERANCE		MANUFACTURING	DATE
DEC.	.XX +/- .01	QUALITY	DATE
	.XXX +/- .005	RA	2/6/02
ANG	.X DEG.		



PHILADELPHIA OPERATIONS
2707 BLACK LAKE PLACE
PHILADELPHIA PA 19154 (USA)

**OUTLINE DRAWING
H6**

SIZE	FSCM NO.	DWG NO.
A	60979	OTL2310XXXX
K:\ENGINEER\ACLTWIN\OTL\OTL_H6		SHT 1 OF 1