

4

3

DWG NO. **088-00386**

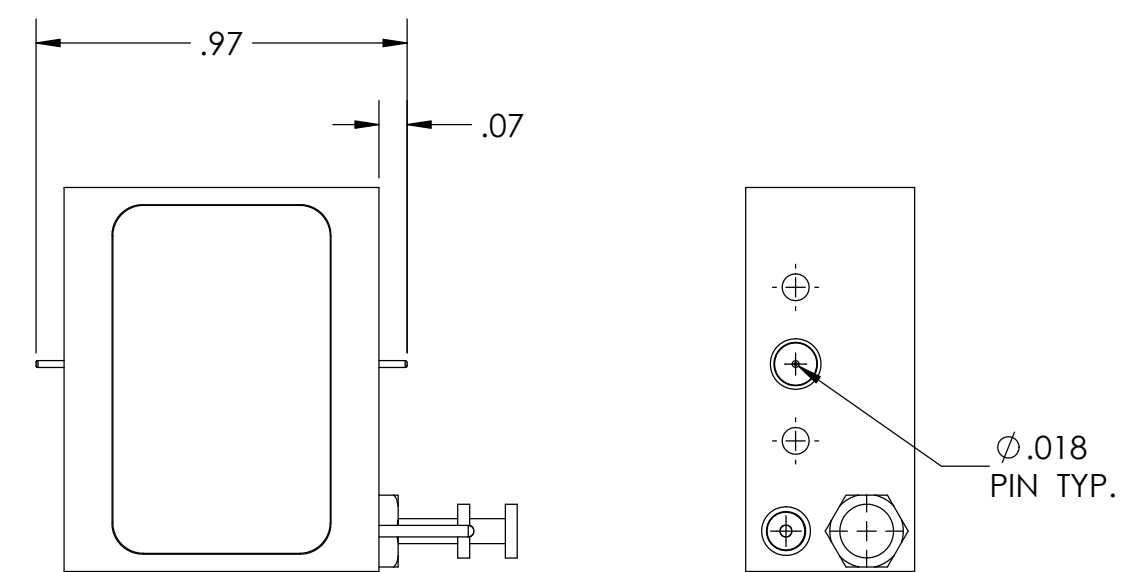
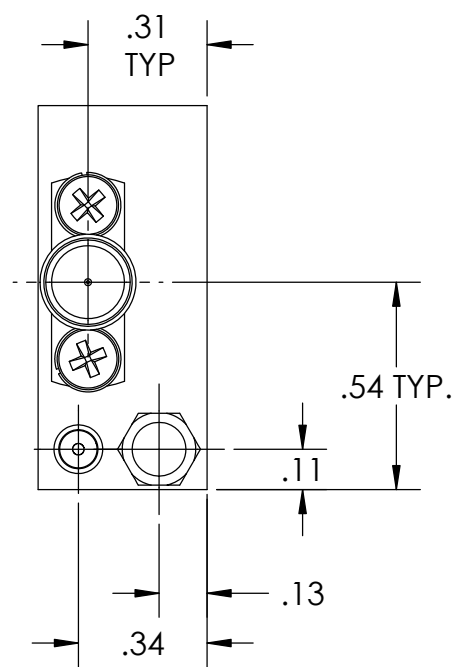
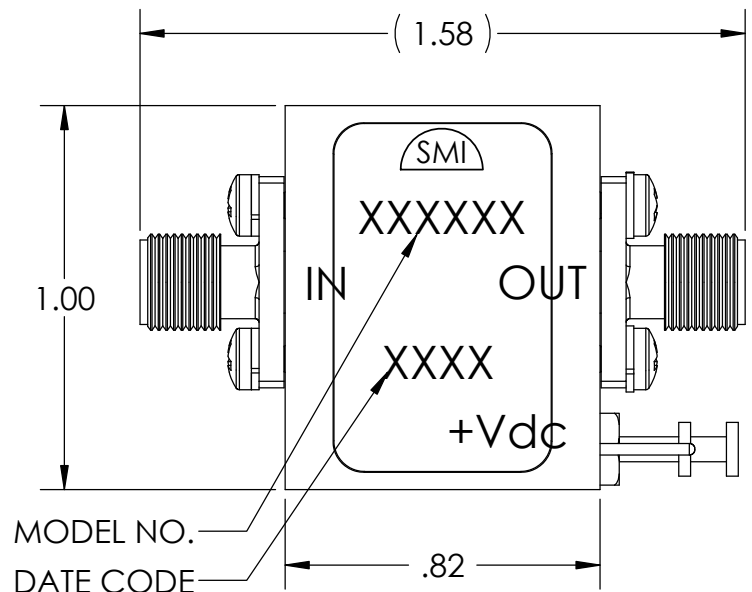
SH **1** OF **1** REV **P1**

1

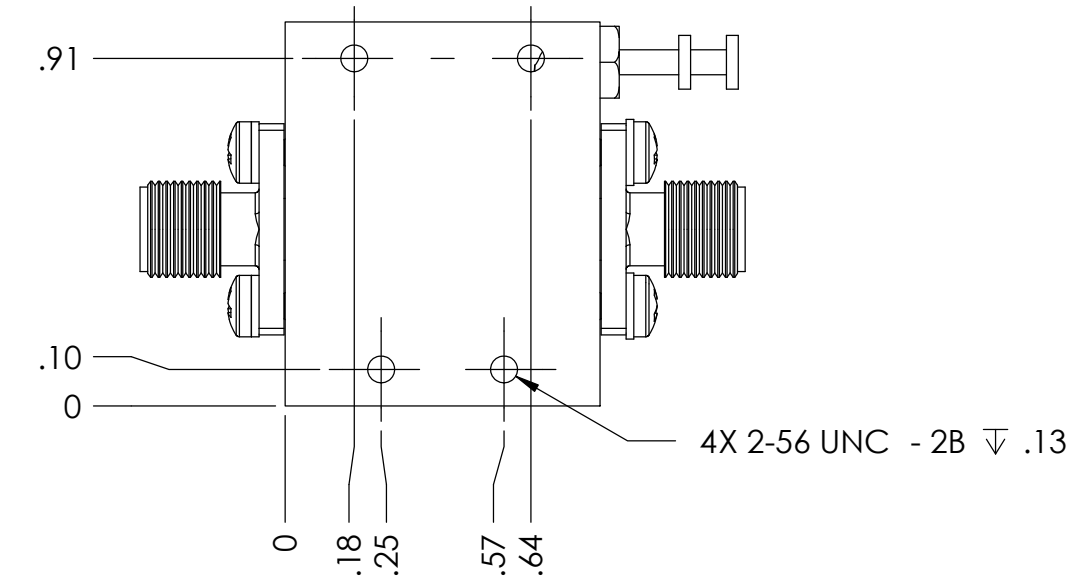
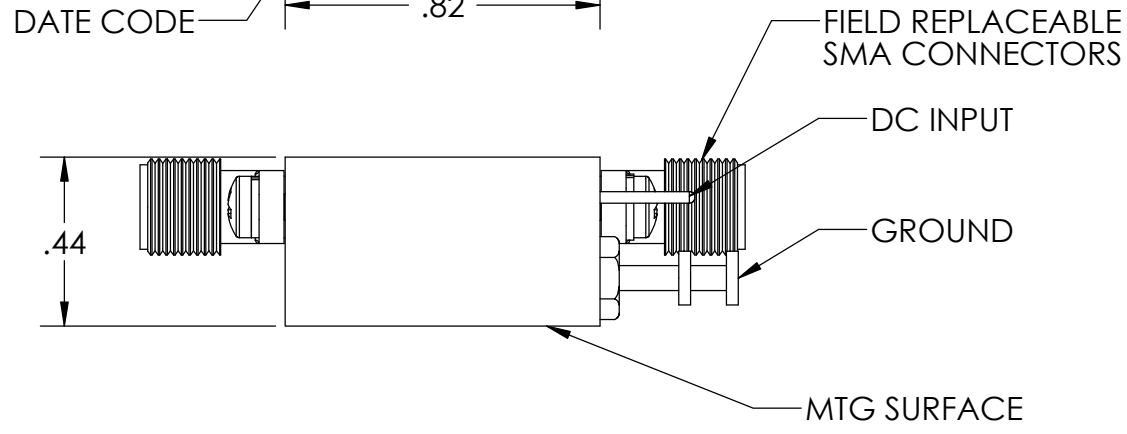
NOTES:

1. HOUSING: 70/30 CU/NI ELECTRONIC GRADE

REVISIONS				
ECN	REV.	DESCRIPTION	CHNG/DATE	APPVD/DATE
XXXX	P1	PRELIMINARY RELEASE	2013/06/24	-



WITHOUT SMA CONNECTORS



CAUTION



THIS ASSEMBLY CONTAINS PARTS SENSITIVE TO DAMAGE BY ELECTROSTATIC DISCHARGE (ESD). USE ESD PRECAUTIONARY PROCEDURES WHEN TOUCHING, REMOVING OR INSERTING

SEE SEPARATE PARTS LIST IN ELECTRONIC STORAGE

UNLESS OTHERWISE SPECIFIED		3rd ANGLE PROJECTION		SPECTRUM MICROWAVE, INC 2707 Black Lake Place Philadelphia, PA 19154-1008 (USA)				
* INTERPRET DRAWING IAW ASME Y14.100-2004 * DIMENSIONING AND TOLERANCING IAW ASME Y14.5-1994 * PARENTHETICAL INFORMATION FOR REFERENCE ONLY * DIMENSIONAL LIMITS APPLY BEFORE PROCESSES * DIMENSIONS ARE IN INCHES * TOLERANCES ARE: ANGLES ±1.0° 2 PLACE DECIMAL ±.02 * SURFACE FINISH 63 3 PLACE DECIMAL ±.005 * REMOVE ALL BURRS AND SHARP EDGES .010 RAD MAX. * CONCENTRICITY MACHINED DIA: .002 FIM * MACHINED TOOL MISMATCH: .002 MAX.		ANSI					OUTLINE, H1L	
DO NOT SCALE DRAWING		DRAWN WAR	DATE 2013/06/24	TITLE	SIZE B	CAGE CODE 60979		
		CHECKED			SCALE: 2:1	SHEET 1 OF 1		
		ENGRG PH	DATE 2013/06/24					
		MFG						
		QA						

SPECTRUM MICROWAVE PROPRIETARY INFORMATION
 THIS DOCUMENT IS THE SOLE PROPERTY OF SPECTRUM MICROWAVE, INC. THE RELEASE OF DATA CONTAINED IN THIS DOCUMENT AND THE REPRODUCTION OF THIS DOCUMENT, IN WHOLE OR IN PART, WITHOUT THE WRITTEN PERMISSION OF SPECTRUM MICROWAVE, INC ARE PROHIBITED.

4

3

2

1