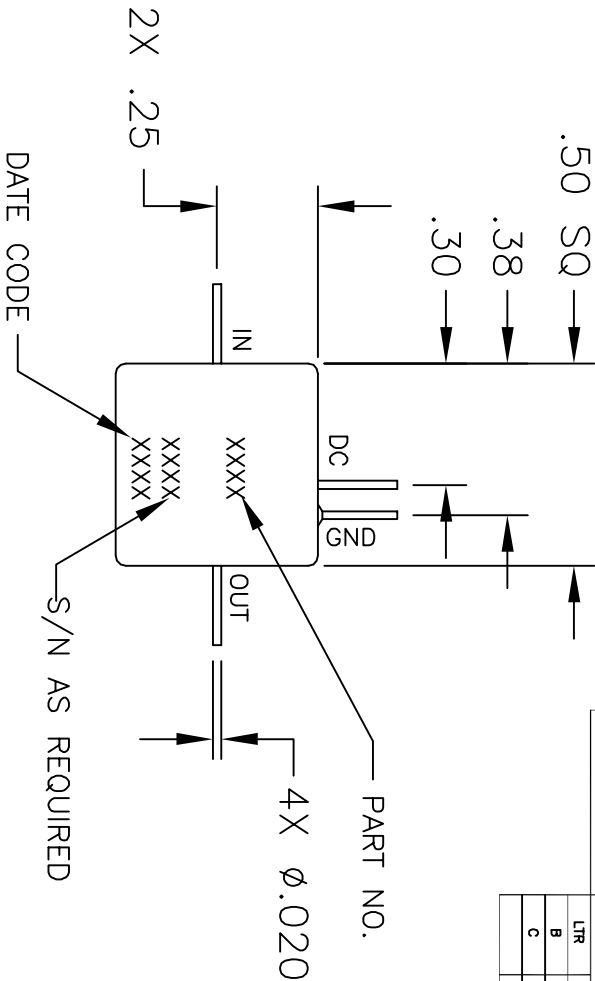


OTL23100003

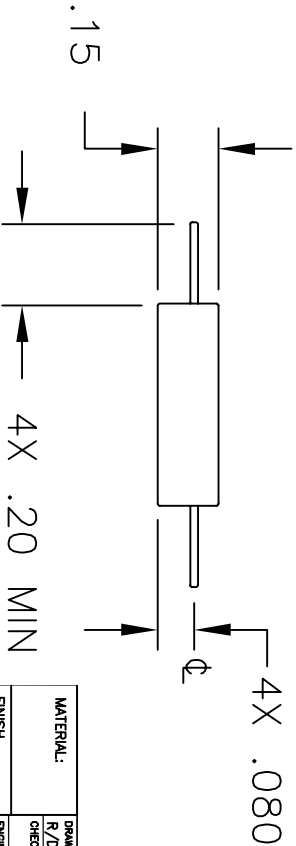
REVISIONS

LTR	DESCRIPTION	DATE	APPROVED
B	ECN 3854, UPDATE ALL, SIGN-OFF	10/10/90	JR 2/22/91
C	ECN 11113, REDRAWN ON CAD	11/21/01	



MATERIAL: KOVAR
FINISH: NICKEL/GOLD

CAUTION
THIS ASSEMBLY CONTAINS PARTS SENSITIVE TO DAMAGE BY ELECTRO-STATIC DISCHARGE (ESD). USE ESD PRECAUTIONARY PROCEDURES WHEN TOUCHING, REMOVING OR INSERTING.



MATERIAL:	DRAWN	DATE	
	R/D ADAM SIDLE	11/21/01	
FINISH	CHECKED	DATE	
	ENGINEERING	11/17/90	
DIMENSIONS - INCHES	APP	DATE	
TOLERANCE	MANUFACTURING	DATE	
DEC. .000 +/- .01	QUALITY	DATE	
	JR	11/17/90	
	CODE IDENT. NO.		
	60979		
	OTL 23100003		

OUTLINE DRAWING
FP-4

2707 BLACK LANE PLACE, PHILADELPHIA, PA. 19154