



## SPECIFICATION

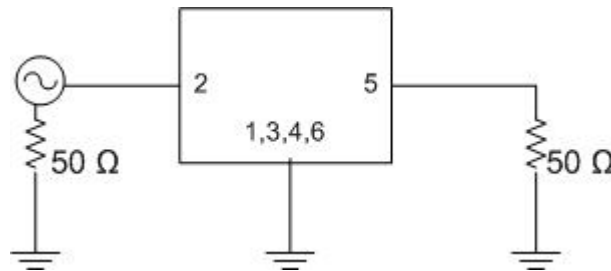
Parameter	Min	Typ	Max	Units
Nominal Center Frequency $F_c$	-	678	-	MHz
Passband	665	-	691	MHz
Maximum Insertion Loss over the Passband	-	4.0	4.2	dB
Absolute Delay	-	35	-	ns
Rejection (0.3 to 603 MHz) <sup>1</sup>	40	51	-	dB
Rejection (603 to 652 MHz) <sup>1</sup>	10	23	-	dB
Rejection (704 to 753 MHz) <sup>1</sup>	10	14	-	dB
Rejection (753 to 978 MHz) <sup>1</sup>	40	53	-	dB
Rejection (978 to 1128 MHz) <sup>1</sup>	50	54	-	dB
Amplitude Variation over the Passband	-	1.6	1.7	dB p-p
Group Delay Ripple in Passband	-	20	100	ns p-p
Source/Load Impedance	50			ohms
Temperature Coefficient of Frequency, $T_c$ <sup>2</sup>	-	-70	-	ppm/°C
Ambient Temperature ( $T_{ref}$ )	-	23	-	°C

- Notes:
1. Absolute level
  2. Typical shift of filter frequency response with temperature is  $\Delta f = (T - T_{ref}) * T_c * F_c$ .

## MAXIMUM RATINGS

Parameter	Min	Max	Units
Storage Temperature Range	-45	85	°C
Operating Temperature Range	-20	55	°C
Input Power Level	-	10	dBm

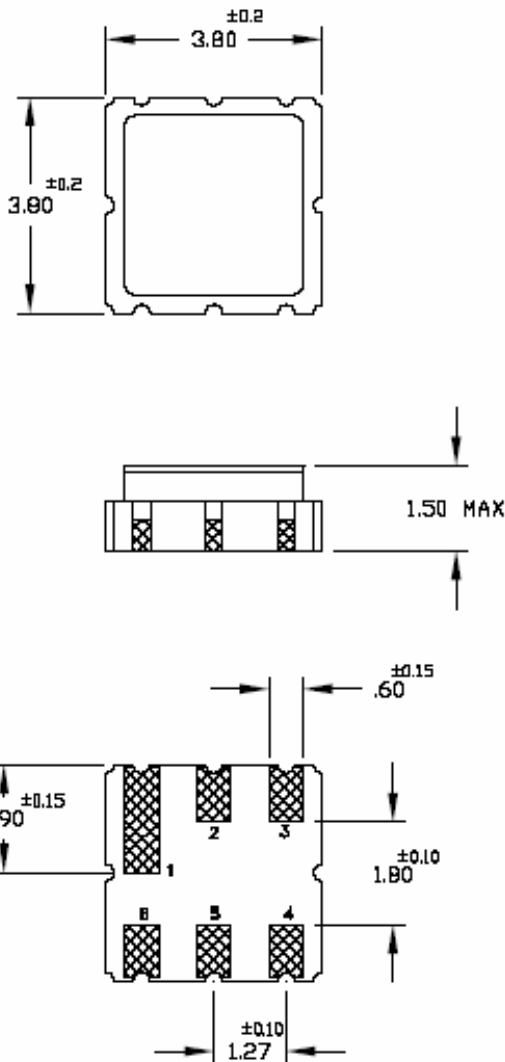
## MATCHING CIRCUIT



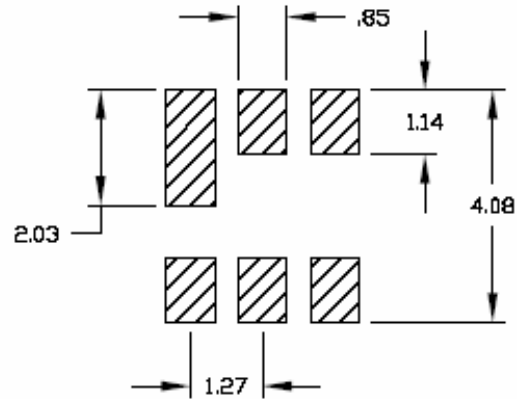
Notes:

- 50 ohm single ended operation.
- Matching components are not required.

**PACKAGE OUTLINE**



**SUGGESTED FOOTPRINT**



**Units:** mm

Tolerances are ±0.15 mm except where indicated.

**Pad Configuration:**

Input: 2  
Output: 5  
Ground: 1, 3, 4, 6

Package Material:  
Body:  $Al_2O_3$  ceramic  
Lid: Kovar, Ni plated  
Terminations: Au plating 1 µm min,  
over a 1.3-8.9 µm Ni plating

ISO 9001  
Registered

All specifications are believed to be accurate and reliable. However, Spectrum Microwave reserves the right to make changes without notice.  
© 2010 All rights reserved.